

INCA TUB



- **With Sediment Trap • For Indoor Use At Stationary Position Only**

INCA TUBs are produced using the revolutionary "Rotomoulding" process. Incaplas's products are the right choice. Using good grade polyethylene, **INCA TUBs** will not crack, leak or rust.

Product Features:

Light Weight

- *Easy to transport*

One Piece Seamless Design

- *Leak proof and crack resistant*

With Sediment Trap

- *Easy to clean and drain*

Colour Choice

- *Liven up the bathroom*

Hassle Free Installation

- *Avoid unpleasant installation work and save time*

15 Years Warranty Against Manufacturing Defects*

* The manufacturer will not be liable for any consequent losses, defects or damages as a result of improper use or incorrect installation of **INCA TUB**.

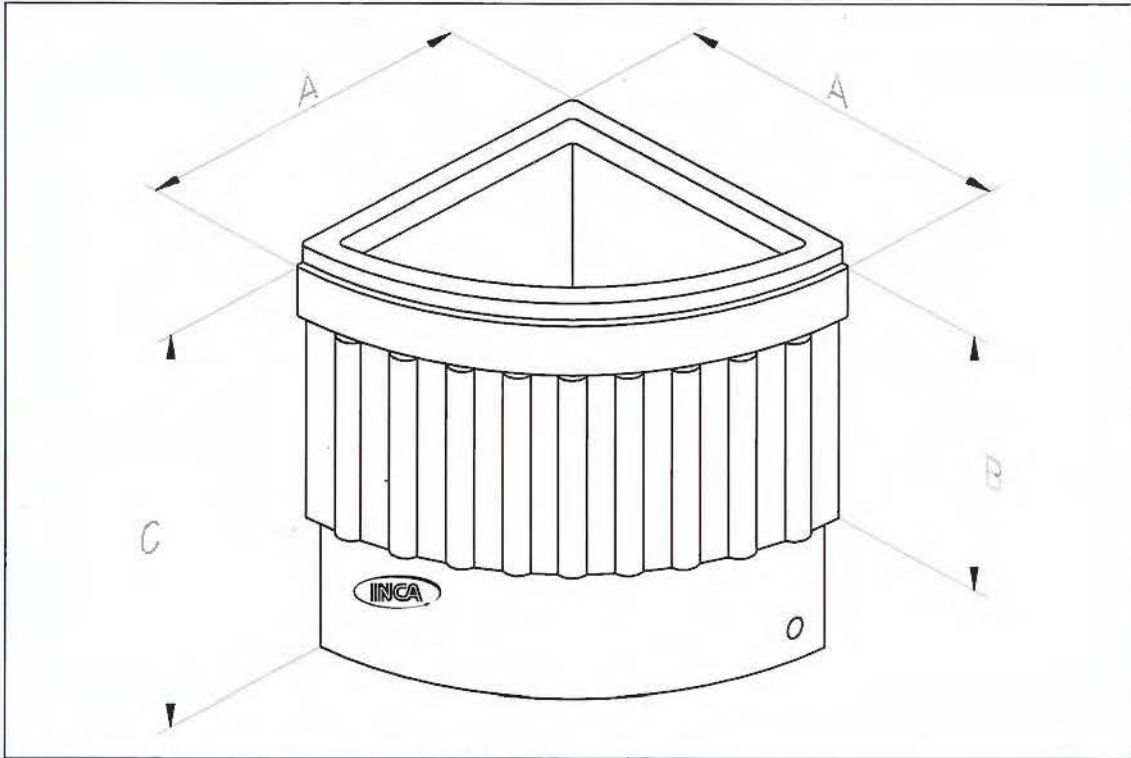


SHAPING IDEAS INTO PLASTIC



SHAPING IDEAS INTO PLASTIC

SPECIFICATIONS



DIMENSIONS

Model	Litres	A	B	C
INCA TUB	20 Gallons	18"	16"	29"
	90 Litres	460 mm	400 mm	610 mm

INSTALLATION PROCEDURES

1. Position the flat side of the **INCA TUB** firmly against the bathroom wall where there is a water tap.
2. Plug the hole at the lower corner of the **INCA TUB** firmly with the rubber plug supplied.
3. Fill the **INCA TUB** with water to the desired level.
4. The **INCA TUB** is ready for use.

For additional technical assistance and marketing enquiries, please contact:

INCAPLAS MARKETING (M) SDN. BHD. (505978 K)
(Member of Techventure Group)

Lot 6498, 5³/₄ Mile Jalan Kapar, 42100 Rantau Panjang, Klang.
Telephone: (603) 3290 5371 Facsimile: (603) 3290 5372